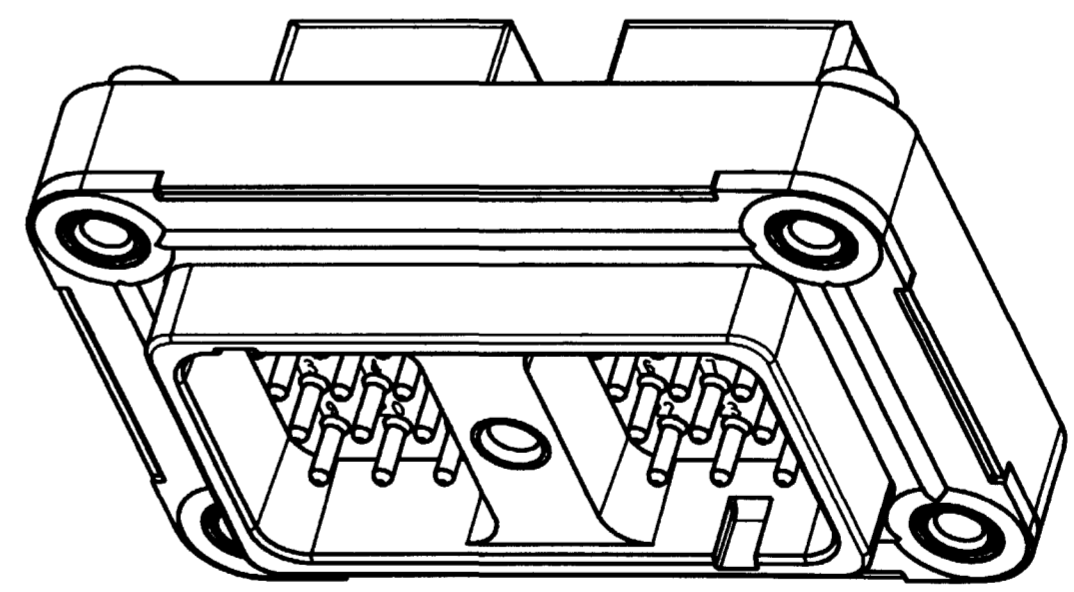
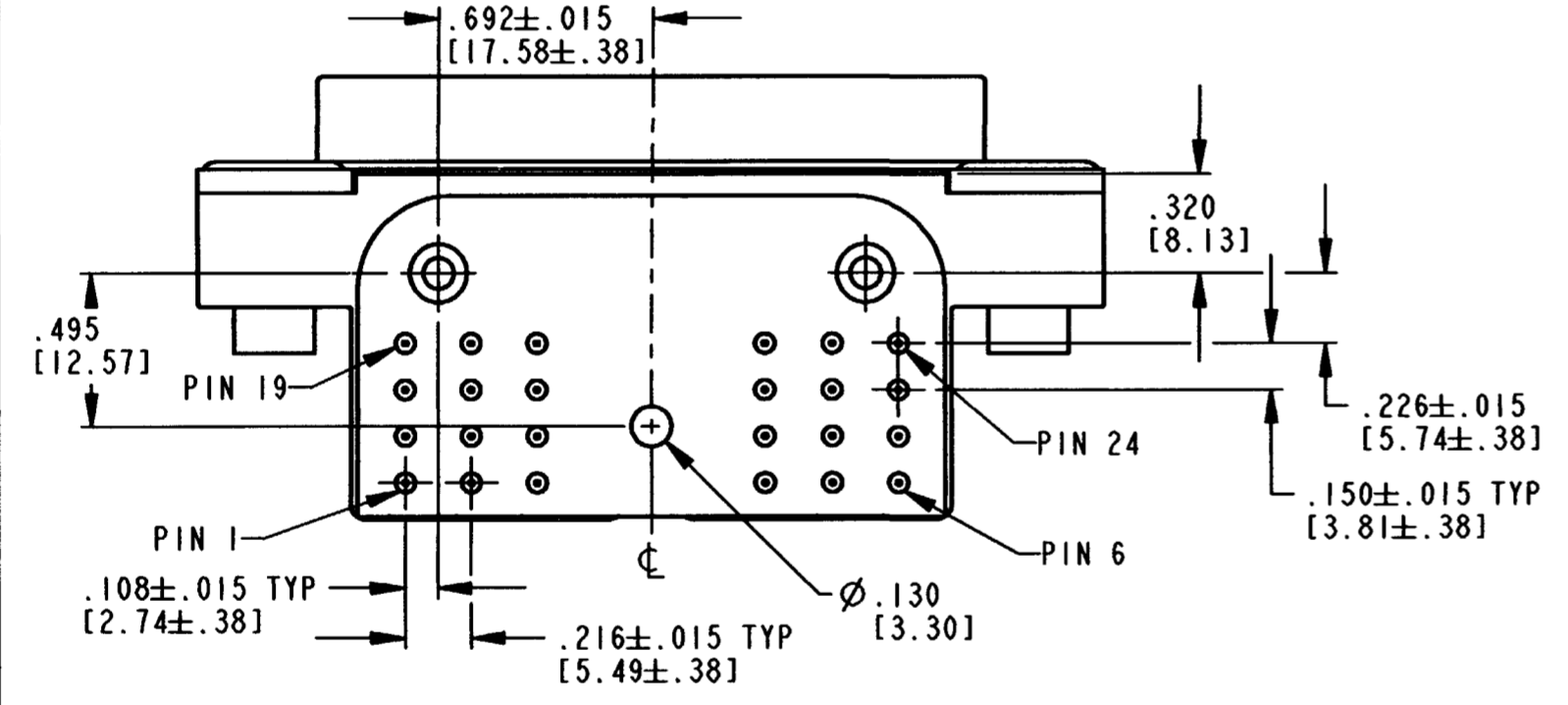
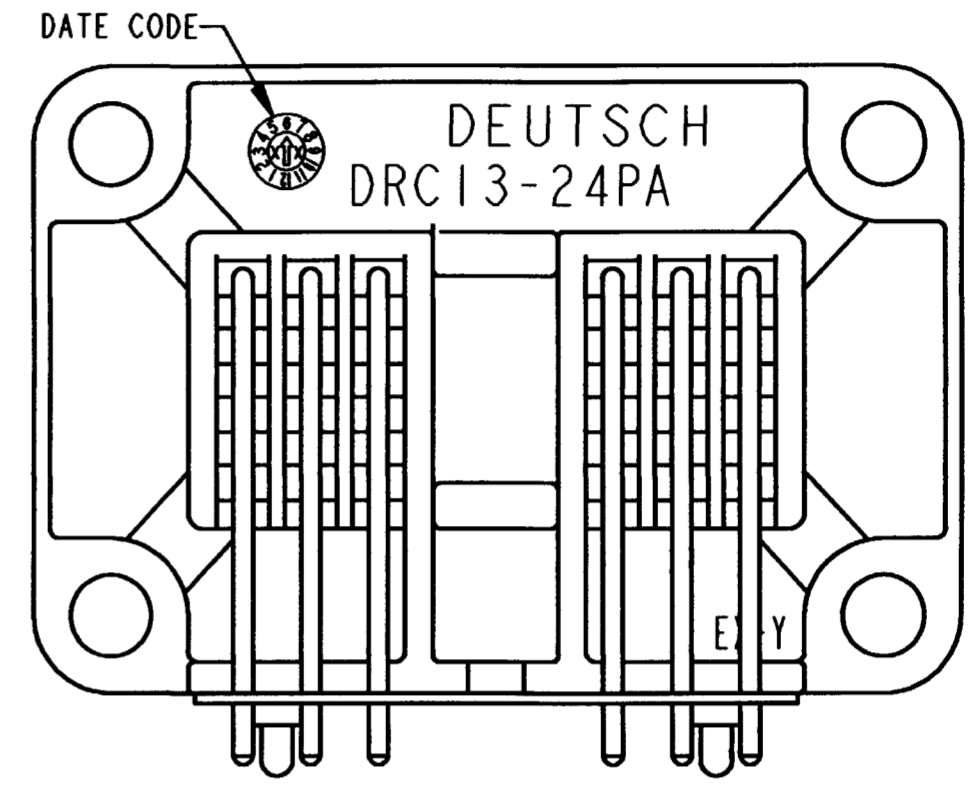


REVISIONS			
REV	DESCRIPTION	DATE	APPROVED
D	DRC13-24P*		
A	REVISED PER E.O. P16640	4-26-00	C. WOODRUFF
B	REDRAWN & REVISED PER E.O. P17162	4-4-01	R. D. R.
C	REVISED PER E.O. P18689	9-20-04	R. D. R.
D	REVISED PER E.O. P19799	4-8-08	RDR



3D VIEW

- 10. SURFACE FINISH: 32 RMS OR BETTER: \square .005 [.12] .
- 9. RECOMMENDED SCREW: #10-32UNF-2A THREAD MACHINE SCREW TORQUE: 20-25 IN-LB [2.26-2.83 NM] .
- 8. SEE SHEET 2 FOR OTHER KEY ARRANGEMENTS.
- 7. THIS RECEPTACLE MATES WITH DRC16-24S*-**** PLUG (*=A,B,C,D KEYS; ****=ALL MODIFICATIONS).
- 6. CONTACT PLATING - MATING & PCB SIDE: TIN.
- 5. MATERIAL - PLASTIC (BLACK); INSERTS: STEEL/BRASS; SEAL: RUBBER.
- 4. RECEPTACLE IS SUPPLIED WITH DUST CAP (NOT SHOWN).
- 3. FLANGE SEAL (0513-042-2406) IS SHIPPED WITH RECEPTACLE.
- 2. DIMENSION TOLERANCE: $\pm .025$ [.64]; PANEL CUTOUT: $\pm .010$ [.25] .
- 1. DIMENSIONS ARE IN INCHES [mm] .

NOTES: UNLESS OTHERWISE SPECIFIED

SIGNATURE & DATE	
DR	J. APOSTOL 01MAR2001
CHK	Paulo Carmona 4/7/08
PE	Crulligan 3/31/08
APPD	DM 3/31/08
SCALE	NONE

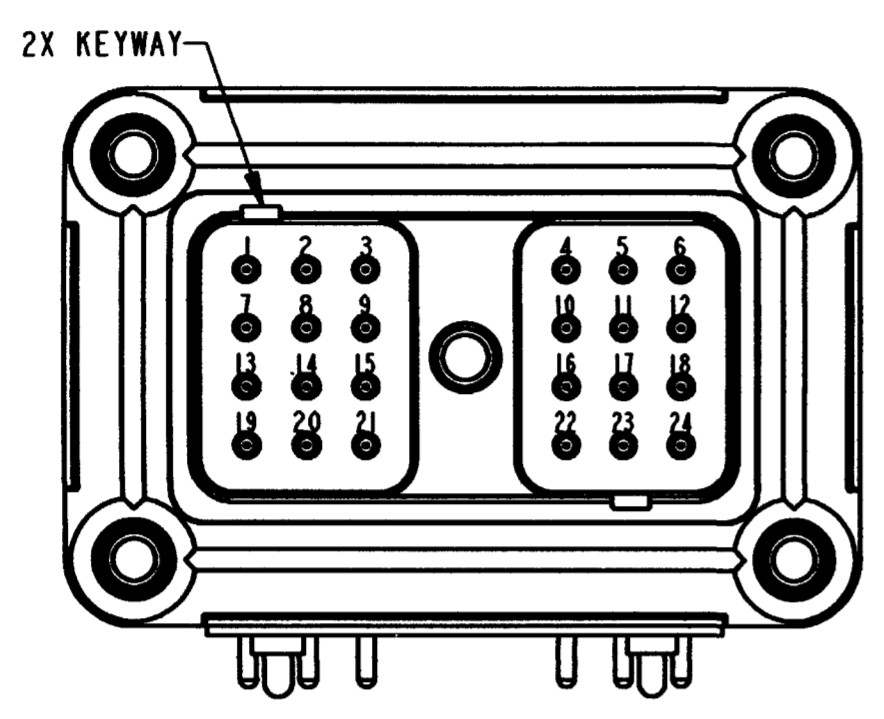
RECEPTACLE
24 PIN 90° SIZE #16
KEY ARRANGEMENTS
A, B, C & D
DRC SERIES

ENVELOPE

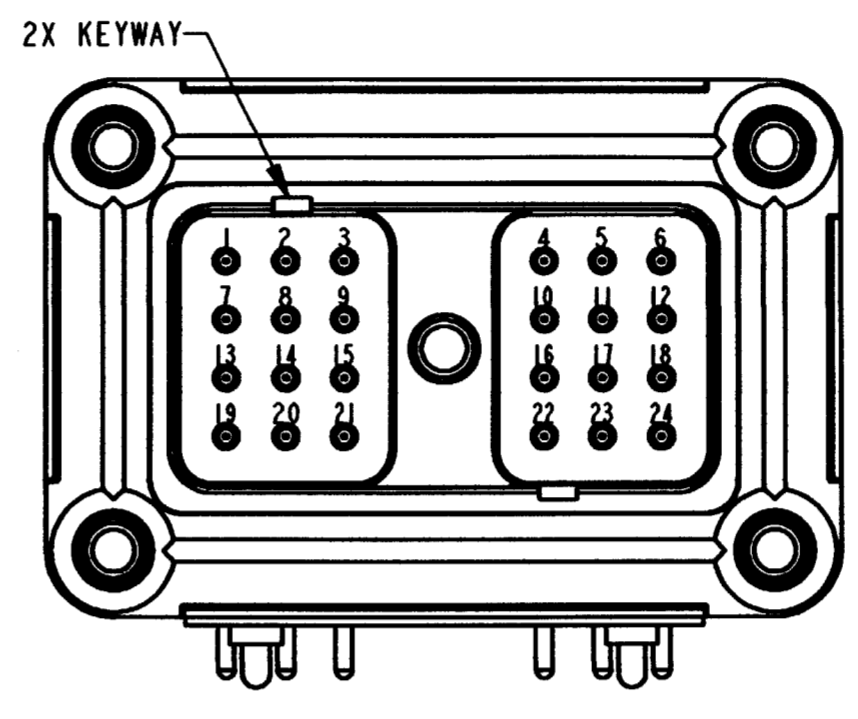
EP	MATL. CODE
	3850 INDUSTRIAL AVE. HEMET, CA 92545
DEUTSCH INDUSTRIAL	
C	DRC13-24P*
DWG SIZE	CODE 11139 SHEET 1 OF 2

7 6 5 4 3 2 1

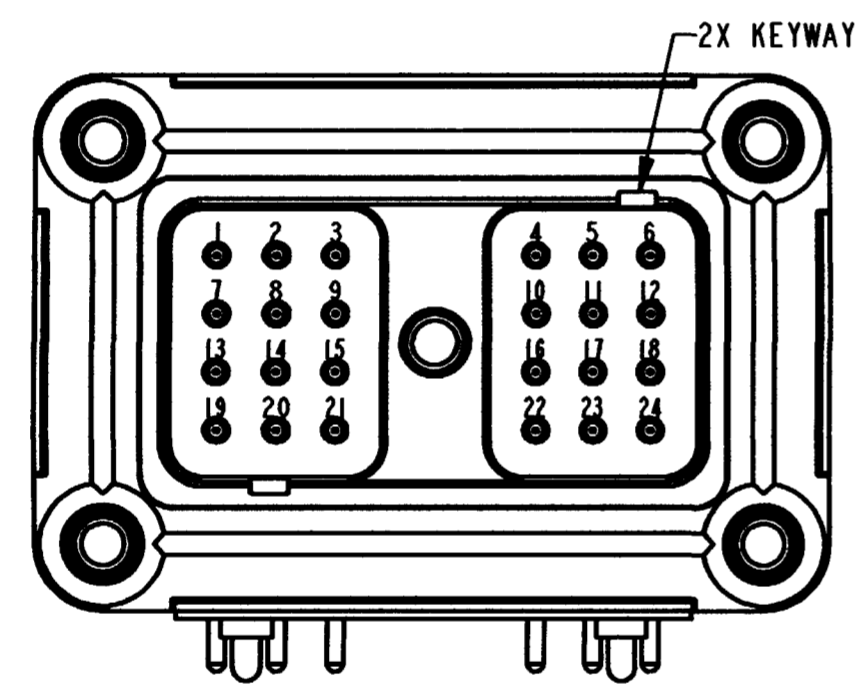
REV	D	REVISIONS			
		SYM	DESCRIPTION	DATE	APPROVED
		D	SEE SHEET 1	4-8-09	ADR



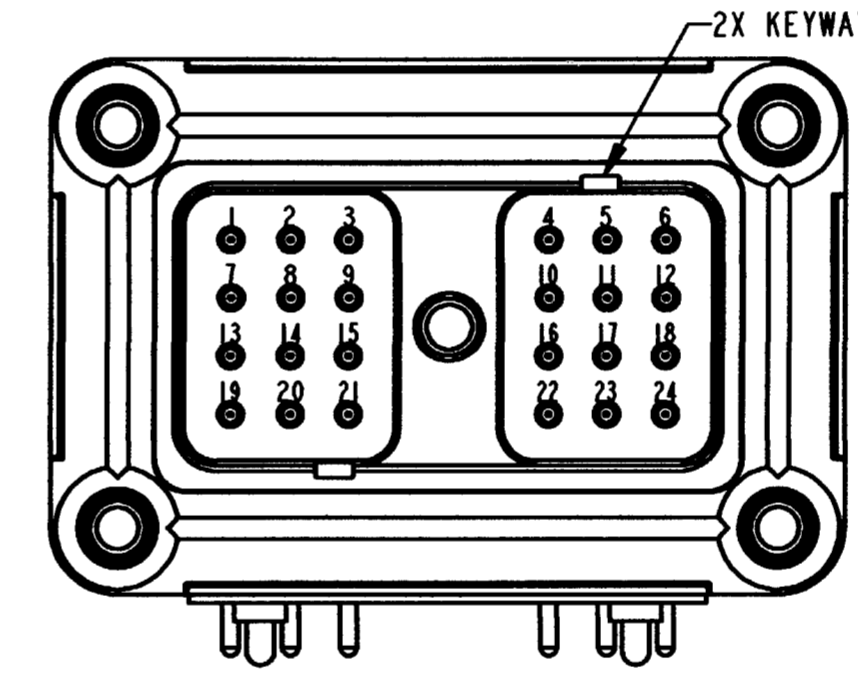
ARRANGEMENT -A-
DRC13-24PA



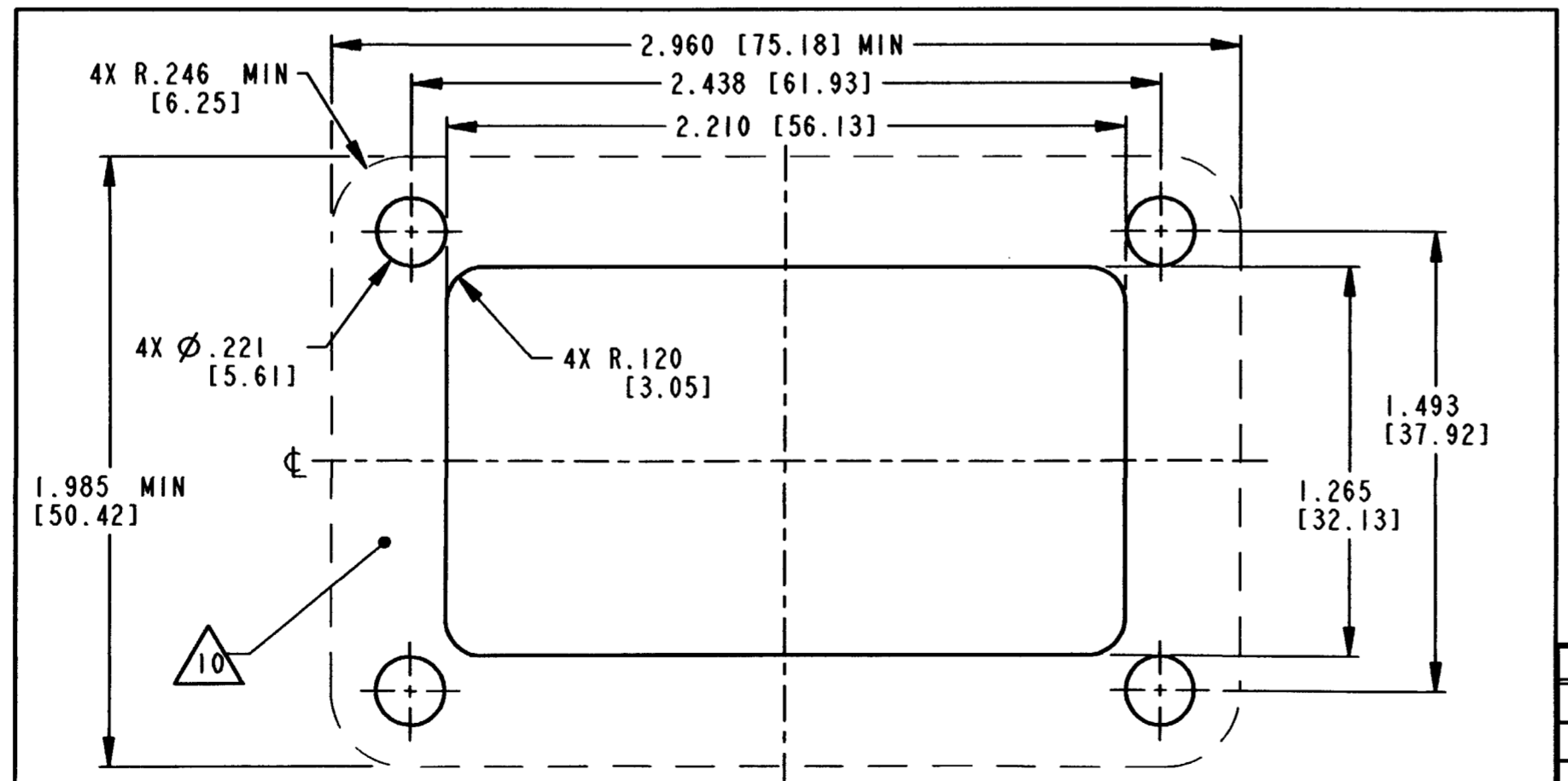
ARRANGEMENT -C-
DRC13-24PC



ARRANGEMENT -B-
DRC13-24PB



ARRANGEMENT -D-
DRC13-24PD



RECOMMENDED PANEL CUTOUT

NOTES:

SIGNATURE & DATE	
DR	J. APOSTOL 01MAR2001
CHK	R. Gomez 4/7/08
PE	R. Mulligan 3/31/08
APPD	D. Meyer 3/21/08
SCALE	NONE

RECEPTACLE
24 PIN 90° SIZE #16
KEY ARRANGEMENTS
A, B, C & D
DRC SERIES
ENVELOPE

EP	MATL. CODE
	3850 INDUSTRIAL AVE. HEMET, CA 92545
DEUTSCH INDUSTRIAL	
C	DRC13-24P*
DWG. SIZE	CODE 11139 SHEET 2 OF 2

7 6 5 4 3 2 1